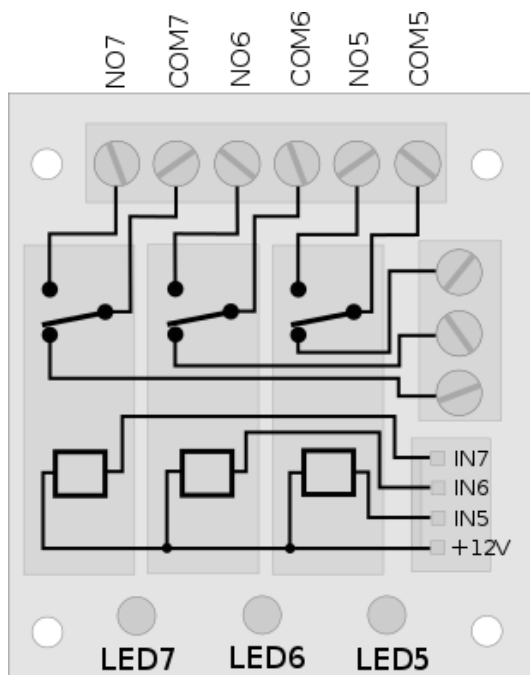


Relay module REL-G7



Relay module REL-G7 serves to extend the outputs of the Gecon7 Communicator. It is attached to the Gecon7 terminals to outputs 5, 6, 7 and the "+" power supply terminal.

Table of RELAY contacts 5,6 and 7

	<i>Contact name</i>	<i>Meaning</i>
NC5	COM5 COM6 COM7	Common contact
NC6	NO5 NO6 NO7	Switching contact
NC7	NC5 NC6 NC7	Opening contact

Specification:

- supply voltage 12V
- current consumption of one relay 30mA
- maximum contact voltage 24V AC
- maximum contact current 2A
- relay switching indication - LED (connected to the coil of each RELAY)

Table of connector REL-G7 – link with Gecon7

<i>Connector RL-G7</i>	<i>Colour of the conductor</i>	<i>Terminal Gecon7</i>	<i>Notes</i>
IN7	yellow	7	
IN6	orange	6	
IN5	red	5	
+12V	brown	+	